

StorePak Offload Station (Preliminary)

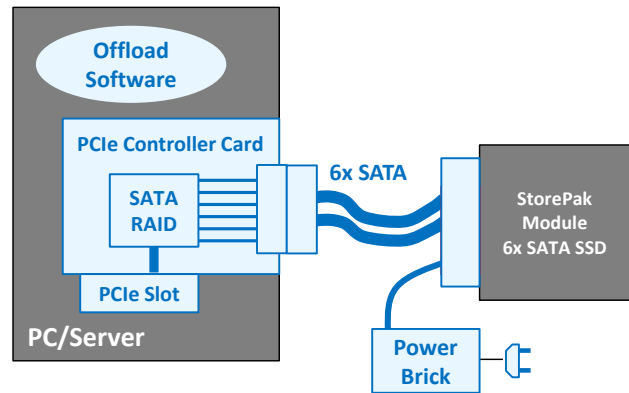
SOS-3 Offload Station Controller, Cable, and Offload Software

StorePak Offload Station

The SOS-3 StorePak offload station allows StorePak removable SSD modules to be connected directly to a desktop PC or server for offload of data from the StorePak. The offload station includes a PCIe controller board, cable, and offload software.

Offload Controller and Cable

The Offload Controller is a PCIe plug-in card. The card hosts a SATA/RAID controller, and plugs into a PCIe x8 motherboard slot. The offload cable plugs into the controller card, and connects directly to the StorePak removable SSD module.



StorePak Offload Software (DAS mode)

One of the two StorePak use models is as PCIe connected Direct Attached Storage that operates under control of the user's SBC. In this use model the Offload Station controller card is installed into any PC/Server that matches the software version that was originally used to write data to the StorePak. The Critical I/O StorePak Offload Software is not needed for this mode.

SOS-3 Features:

- Standard PCIe x8 plug-in card controller
- 6 port SATA cable directly connects to StorePak
- Offload Station software for recorder data offload
- Linux and Windows driver support
- Up to 500 MB/s offload rate

StorePak Offload Software (Recorder mode)

The second StorePak use model is as part of a high performance data recorder that operates under the control of a StoreEngine board. In this usage model the Offload Station controller card is installed into a Linux PC/Server. The Critical I/O Offload Software is installed on the PC/Server, and is used to view and offload the recorded files that stored on the StorePak.



Secure Erase

For both use models a secure erase of the StorePak storage may be initiated to free SSD space and restore optimal performance.

The SOS-3 StorePak Offload Station includes a controller card, cable, and software. (StorePak and PC/Server are not included)

Technical Specifications

Controller Card	
Physical	Low profile PCIe x8 add-in card (2.7" x 6.6")
Power (PCIe slot)	+12V, +3.3V, 10W
SATA Interfaces	6x SATA 1.5 Gbps
Cable	
Length	1M
Connectors	2x SFF-8088
Power Supply	Power brick style, input voltage 110VAC, 0.5A
Software O/S Support	
Controller Driver (all modes)	Linux 2.x, 3.x, 4.x, Windows
Offload Software (recorder mode)	Linux 3.x
Offload Rate	up to 500 MB/s
Model Number	SOS-3